

**“ADCATROL” PNEUMATIC CONTROL VALVES
PPV25 – ON-OFF
(V25 globe valves series with linear piston actuators PPI series)**

DESCRIPTION

The PPV25 on-off valves are single seated, two-way body constructed with in-line straight connections. The PPI pneumatic actuators are of the piston type. Their wide application ranges allows the use of this valve with the most common process fluids such as water, superheated water, steam, air, gas and other fluids.

MAIN FEATURES

Single seated, two ways, direct or reverse action valve.
Soft sealing as standard.
Actuator housing 360° rotation (clockwise).



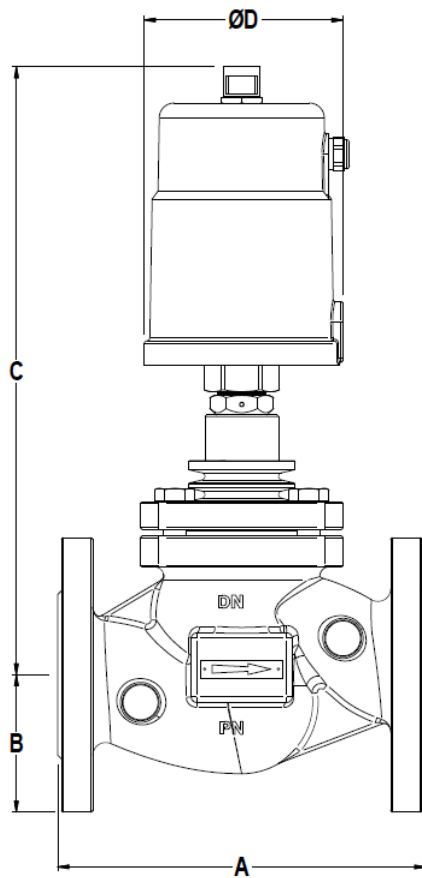
- OPTIONS:** Air filter regulator
Stainless steel construction.
Normally open and double effect version.
Limit switch
Pilot solenoid valve
- USE:** Saturated and superheated steam.
Hot and superheated water.
Air, gases and other noncorrosive fluids.
- AVAILABLE MODELS:** PPV25G - Nodular iron
PPV25I - Stainless steel
- VALVE SIZES:** DN15 to DN50
- CONNECTIONS:** Flanged EN1092-2 PN16 (PPV25G)
Flanged EN1092-1 PN16 (PPV25I)
- ACTUATORS:** PPI-63 , PPI-90 (Stainless steel)
- AIR SUPPLY:** 5 - 8 bar
- ACTUATOR CONNECTIONS:** PPI-63 G1/8" NPT; PPI-90 G1/4" NPT

VALVE BODY LIMITING CONDITIONS			
PPV25G		PPV25I	
Press.	Temp.	Press.	Temp.
16 bar	-10 / 120°C	16 bar	-10 / 100°C
15,5 bar	150°C	14,5 bar	150°C
14,7 bar	200°C	13,4 bar	200°C
13,9 bar	250°C	12,7 bar	250°C
12,8 bar	300°C	11,8 bar	300°C

- MAX. AIR SUPPLY PRESSURE:** 8 bar
- AMBIENT TEMPERATURE:** -20°C ...+70°C
- BONNET :** From -5°C to +220°C (standard)
- STEM SEALING:** PTFE/GR V-Rings - up to 220°C (Standard bonnet)
- PLUG DESIGN:** PT - On-off
- PORT:** Full port

FLOW RATE COEFFICIENTS						
Kvs	SIZES					
	DN15	DN20	DN25	DN32	DN40	DN50
	5,2	7,3	11,7	18	27	43

CE MARKING (PED - European Directive 97/23/EC)	
PN 16	Category
DN15 to DN50	SEP - art. 3, paragraph3



MAX. PERMISSIBLE PRESS.DROP IN bar
Normally closed valve (fluid to open)
Reverse action actuator (air signal to open)

ACT. Type	AIR PRESSURE	SIZES					
		DN15	DN20	DN25	DN32	DN40	DN50
PPI-63	5 - 8 bar	18	18	8	4	3	-
PPI-90	5 - 8 bar	-	-	24	18	13	9

Note: Waterhammer free design.

MAX. PERMISSIBLE PRESS.DROP IN bar
Normally closed valve (fluid to close)
Reverse action actuator (air signal to open)

ACT. Type	AIR PRESSURE	SIZES					
		DN15	DN20	DN25	DN32	DN40	DN50
PPI-63	5 - 8 bar	16	16	16	-	-	-
PPI-63	6 - 8 bar	16	16	16	16	-	-
PPI-63	7 - 8 bar	16	16	16	16	16	10
PPI-90	5 - 8 bar	-	-	-	16	-	-
PPI-90	6 - 8 bar	-	-	-	16	16	-
PPI-90	7 - 8 bar	-	-	-	16	16	16

Note: not recommended when controlling liquids at high speed due to waterhammer occurrence.

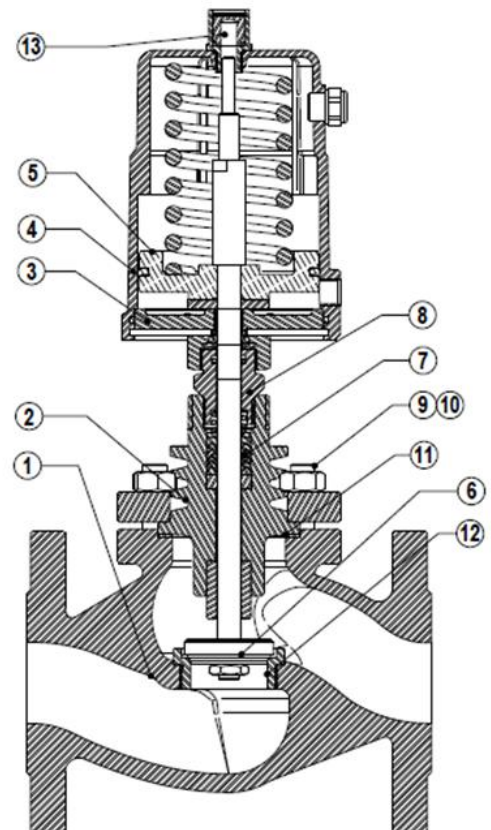
DIMENSIONS (mm)

DN	A	B	C	Ø D	C	Ø D	WHT. Kgs w/PPI63	WHT. Kgs w/PPI90
			Actuator PPI-63	Actuator PPI-90				
15	130	48	250	75	300	110	3,7	5,2
20	150	53	250	75	300	110	4,5	6
25	160	58	250	75	300	110	5,5	7
32	180	70	270	75	325	110	7	8,5
40	200	75	280	75	330	110	9,7	11,2
50	230	83	290	75	340	110	11,7	13,2

MATERIALS

POS.	DESIGNATION	MATERIAL PPV25G	MATERIAL PPV25I
1	Valve body	GJS-400-15 / 0.7040	CF8M / 1.4408
2	Bonnet	CF8 / 1.4308	CF8 / 1.4308
3	Actuator flange	CF8 / 1.4308	CF8 / 1.4308
4	Actuator cover	CF8 / 1.4308	CF8 / 1.4308
5	Piston	Aluminium	Aluminium
6	* Valve plug	1,4401 / PTFE/GR	1.4401 / PTFE-GR
7	* Packing	PTFE / GR	PTFE / GR
8	Gland nut	AISI 316 / 1.4401	AISI 316 / 1.4401
9	Studs	34CrNiMo6 / 1.6582	A4 - 70
10	Nuts	Steel 8.8	A4 - 70
11	Gasket	St.Steel / Graphite	St.Steel / Graphite
12	Seat	AISI 316 / 1.4401	AISI 316 / 1.4401
13	Indication stem	Plastic	Plastic

* Available spare parts





ORDERING CODES PPV25

VALVE CODES		PPV				.X.	
Group Designation							
Pneumatic on-off valve		PPV					
Valve Model							
GJS-400-15 body, stainless steel trim			.25G				
ASTM A216 WCB body, stainless steel trim			.25I				
Valve Plug							
PT (on-off) - Soft (PTFE/GR)				9			
PT (on-off) - Metal AISI316 / 1.4401				10			
Pipe Connection							
Flanged EN1092 PN16					L		
Size							
DN 15						15	
DN 20						20	
...							
Fluid Direction							
Normally closed valve, fluid enter above the seat							A
Normally closed valve, fluid enter below the seat							B
Actuator							(1)
Extras (3)							E

ACTUATOR CODES (pneumatic)

ACTUATOR CODES (pneumatic)		PI.			
Group Designation					
Piston linear actuator		PI.			
Actuator Size					
Piston pneumatic actuator PPI 63			.63		
Piston pneumatic actuator PPI 90			.90		
Actuator Type					
Direct action (air to close)				.D	
Reverse action (air to open)				.R	
Actuator Construction					
Stainless steel					(2)

→ To be introduced on ".X.", if supplied in combination with the valve.

- (1)- Indicate actuator type.
- (2)- Omitted if the standard actuator is selected.
- (3)- To be used only when a non-standard combination valve is supplied